



Fiber Depolarizer

I&Optics' fiber depolarizer can convert a random polarization into a depolarization light by offering an additional retardation between two orthogonal portions. It features very low degree of polarization and can be used to eliminate the influence of polarization in polarization sensitive systems, such as lasers, sensors, OCTs, testing systems and R&D.

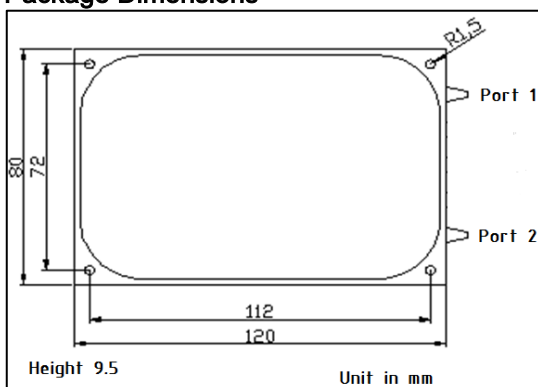
Specification

Parameter	Test Condition	Unit	Value
Port Configurations	-	-	1x1 (Port 1 and Port 2)
Nominal Center Wavelength	-	nm	633, 850, 980, 1060, 1310, 1550, 2000 or Specify
Wavelength Range	-	nm	+/-20 for 633/850nm, +/-30 for 980/1060nm, others +/-50
Max. Insertion Loss	at Center Wavelength	dB	1.6, Typ. 1.3 (633nm), 1.4, Typ. 1.2 (850/2000nm), 1.2, Typ. 1.0 (980/1060nm), others 0.9, Typ. 0.7
Max. Polarization Dependent Loss	at 23°C, Input to Output	dB	0.2, Typ. 0.1
Max. Polarization Degree	Input to Output	-	0.1
Min. Return Loss	at Center Wavelength	dB	50
Max. Power Handling Rate	Continuous Wave	mW	150 for 633nm, 200 for 850nm, 300 for 980/1060nm, others 500
Fiber Type	-	-	SM or PM Panda fiber or Specify
Max. Fiber Tensile Load	-	N	5
Operating Temperature	-	°C	-5 to 70
Storage Temperature	-	°C	-40 to 85

Above values are for device without connectors. For device with connectors, IL will be 0.3dB higher(0.5dB for 633/850nm), return loss will 5dB lower.

The default alignment of connector key is to slow axis of fiber. Special requirement please call.

Package Dimensions



Dimensions depends on user's application. We are very pleased to do our best to provide customized package for optimizing.

Ordering Informations

FDP-①-②-③-④-⑤

① - Center Wavelength

63 - 633nm

85 - 850nm

98 - 980nm

06 - 1060nm

31 - 1310nm

55 - 1550nm

20 - 2000nm

SS - Specify

② - Fiber Type on port 1/2

1 - SM 650 Fiber

2 - PM 630 Panda Fiber

3 - Hi 780 Fiber

4 - PM 850 Panda Fiber

5 - Hi 1060 Fiber

6 - PM 980 Panda Fiber

7 - SMF-28e Fiber

8 - PM 1310 Panda Fiber

9 - PM 1550 Panda Fiber

③ - Connector Type on port 1/2

1 - FC/UPC

2 - FC/APC

3 - SC/UPC

4 - SC/APC

④ - Fiber Jacket on Port 1/2

B - Bare Fiber

L - 900um Loose Tube

⑤ - Fiber Length

0.8 - 0.8m